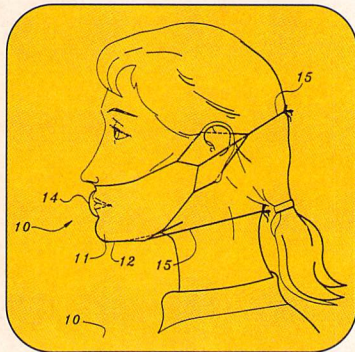


# Device Squad

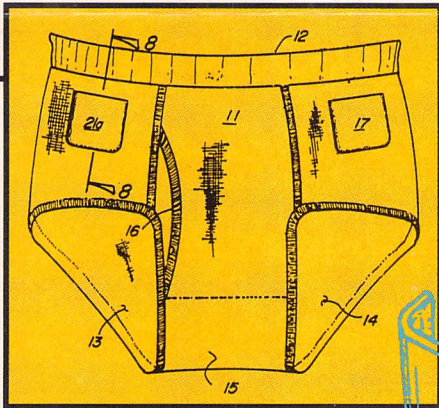
## Inventing better sex

Unbeknownst to most Americans as they quietly go about the business of their daily lives, thousands of people across the country are feverishly working to improve the nation's sex life. Inventors, the unknown foot soldiers of the sexual revolution, are hard at work in garages, basements, and workshops. They're creating new and improved vibrators, interactive orgasm-inducing underpants, musical condoms, and much more. Thanks to America's ever-growing variety of sexual tastes, there is an endless supply of erotic needs to be satisfied—and no carnal specifications are too obscure to fill. The inventions shown here are just a selection of the many inspired products recently patented in the United States.

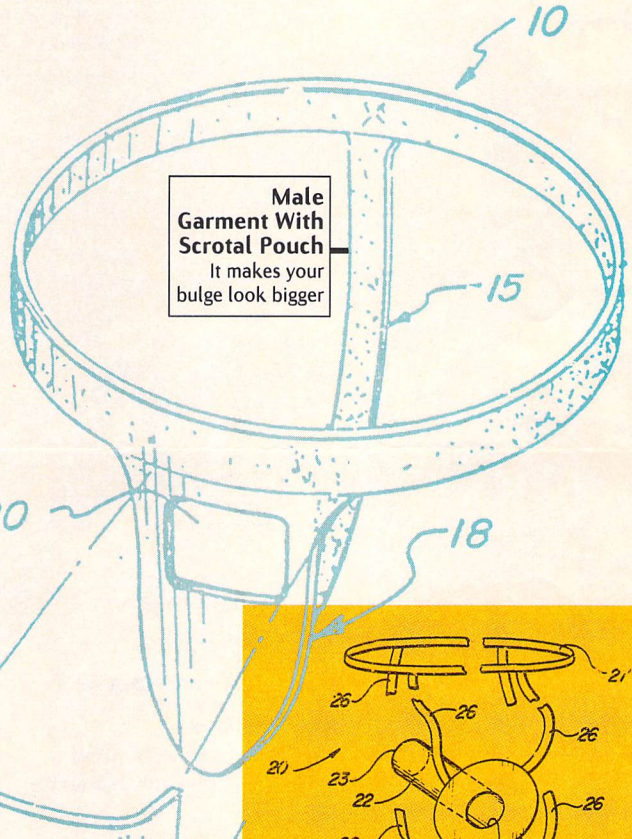
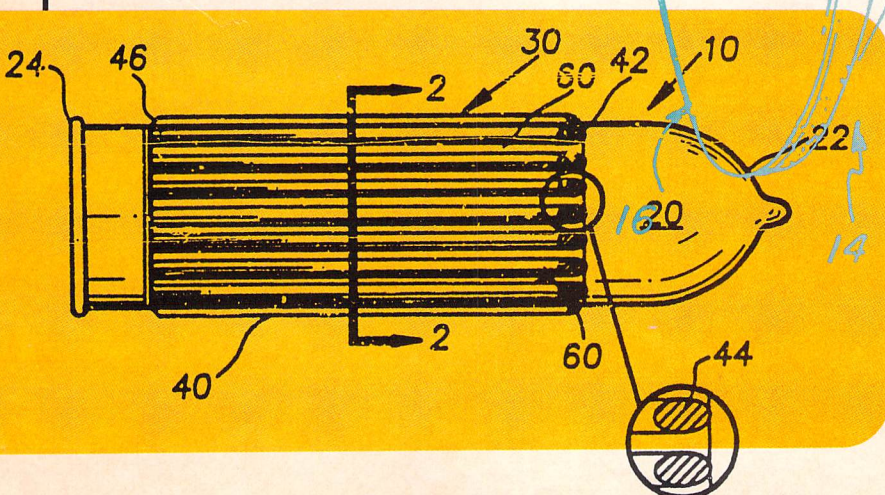


**Protective Mask**  
An oral prophylactic for safe oral sex

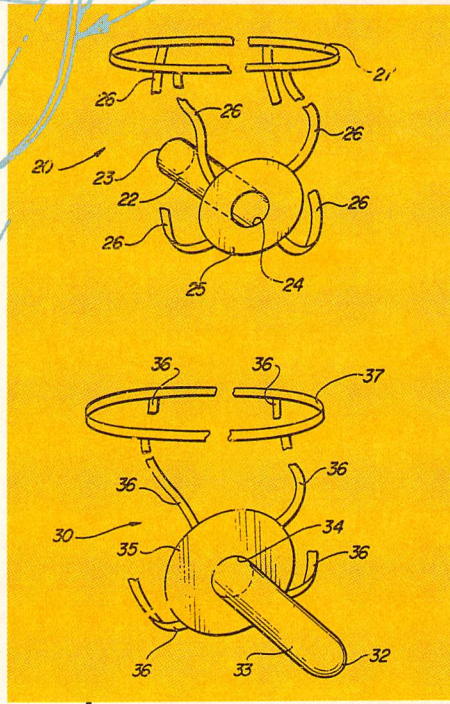
**Condom Pocket Underwear**  
So you can always be prepared



**Contraceptive and Flavor Delivery System**  
For those who like sex in a variety of flavors



**Male Garment With Scrotal Pouch**  
It makes your bulge look bigger



**Prophylactic Device**  
A reversible wearable condom for men or women

LEFT, CLOCKWISE FROM TOP LEFT: JOSEPH T. JOHNSON, PAT. NO. 5,016,649; ROBERT M. NALBANDIAN, PAT. NO. 5,237,706; ALLA V. K. REDDY, PAT. NO. 4,993,433; MICHAEL A. STANG, PAT. NO. 4,919,149; NATALIE A. LERMA-SOLIS, PAT. NO. 5,172,430. RIGHT, CLOCKWISE FROM TOP LEFT: FRED J. ROKASKY, PAT. NO. 5,086,519; AZOR R. HORTON, PAT. NO. 5,125,398; GREG GIBSON, PAT. NO. 5,046,489; PAUL LYONS, PAT. NO. 5,163,447; JAMES D. MORTENSEN, THERESA L. MORTENSEN, PAT. NO. 4,951,321; PHILIPPE-GUY E. WOOG, MICHAEL A. MORET, PAT. NO. 5,067,480.